

# *CD Holder*



# MTW Project: CD Holder 1

## Design Brief:

Investigate ideas and designs for CD holders and from the given drawings:

- a. Mark out and process the given project
- b. Design and make number of modifications to the design to improve its appearance.

## Objectives of Project:

At the end of this project student will be able to:

- Investigate and evaluate design solutions for a given problem
- Develop a number of modifications to a given design solution
- Mark out and manufacture a multi-piece project

## Pre-required Knowledge & Skills:

- Basic woodworking marking-out and processing skills
- Freehand sketching experience
- Appreciation of a project design process

## Tools & Equipment Required:

- Standard bench tools
- Pillar Drill
- Finishing materials

## Materials Required:

Materials per student:

Item	Amount	Width	Thickness	Length	Material
Legs	4	44	30	250mm	Red deal
Dowels	4	9mm	Dia.	220mm	Birch

### ***Theory Related to Project:***

*Topics or areas of syllabus that can be covered as part of project:*

- *Jointing and Assembly methods*
- *Drilling & Drills*
- *Tools:*
  - *Saws (coping saws)*
  - *Planes (spokehaves)*
  - *Shaping tools*
- *Adhesives*
- *Designing for function and aesthetics, Modifications of design solutions*
- *Finishes and Finishing of Wood*

### ***Time Allocation***

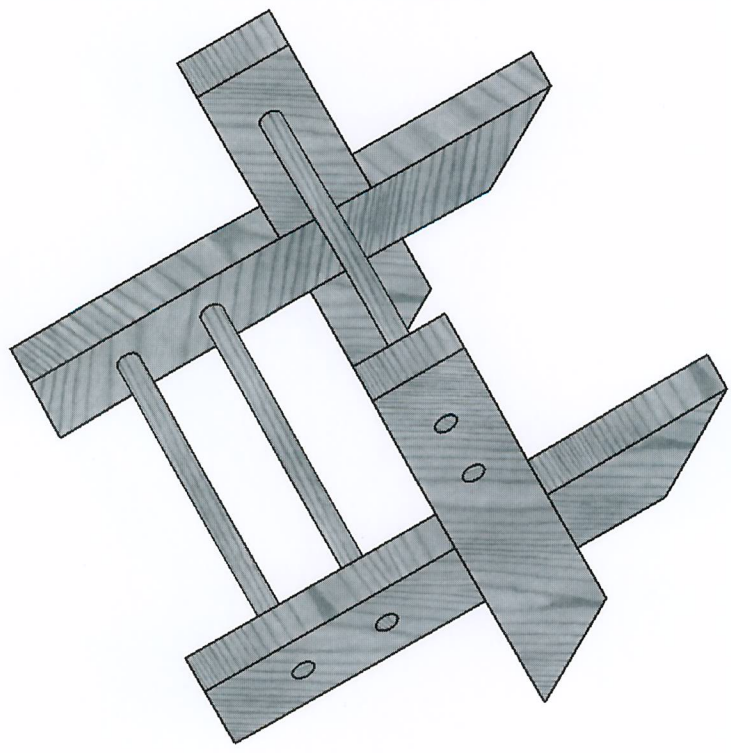
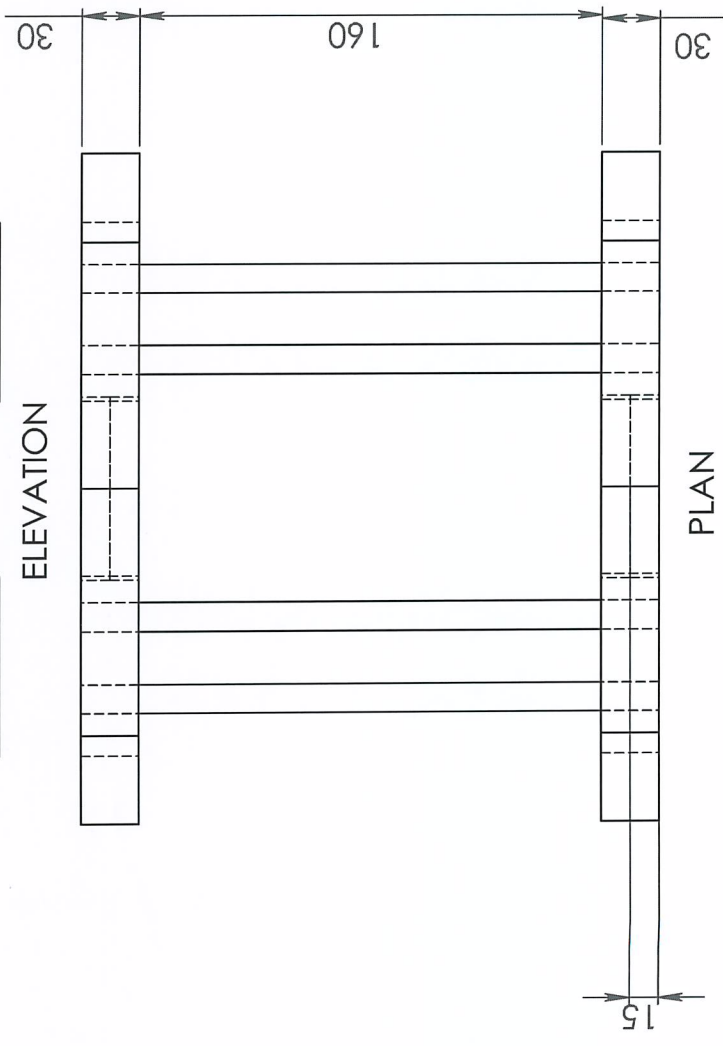
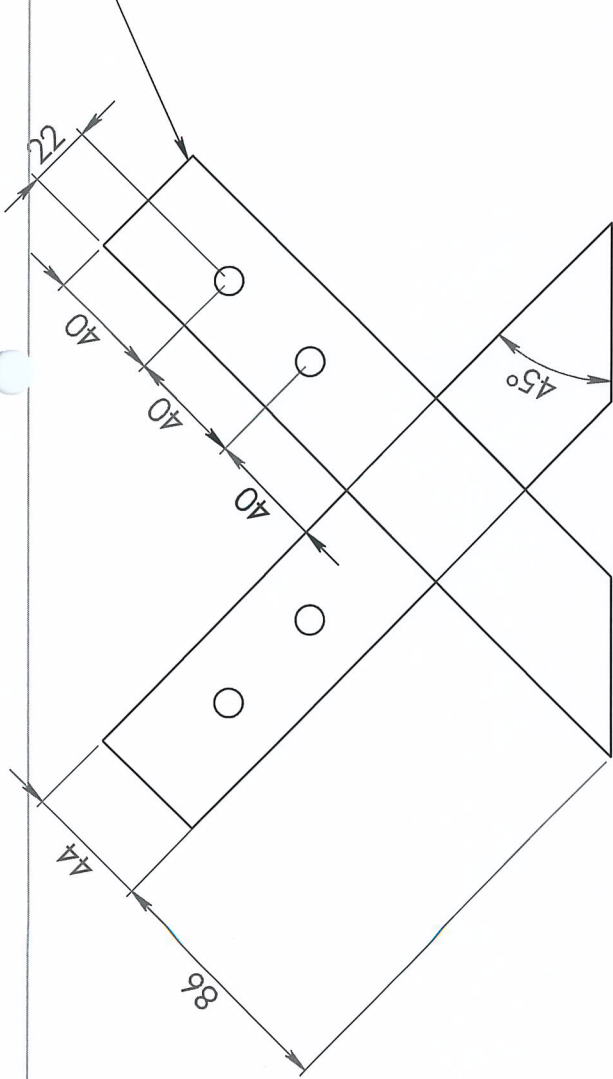
*Estimated amount of classes:*

*Start Date:*

*Finish Date:*

### ***Notes***

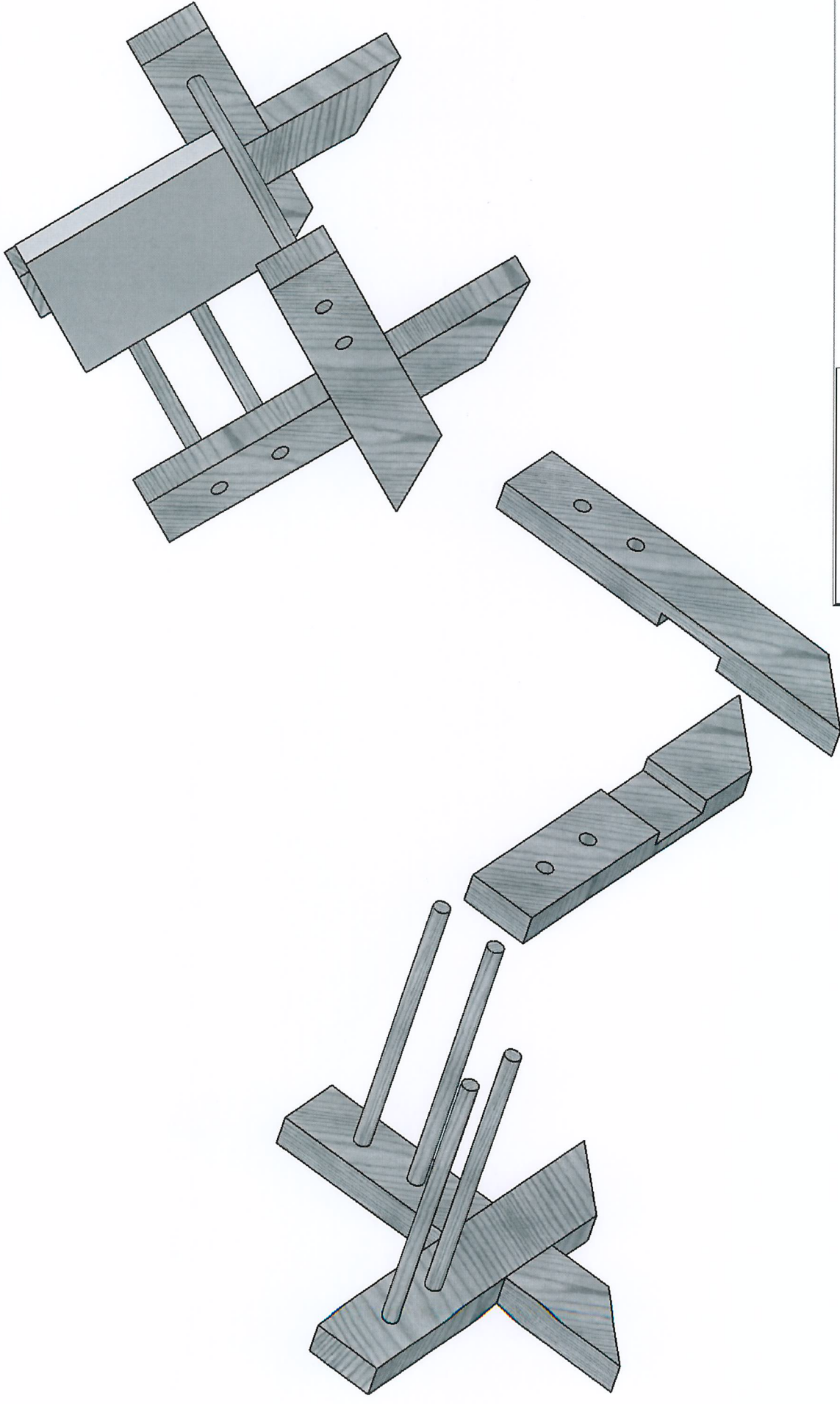
Shape of ends to be designed




ISOMETRIC

TechnoTeachers Association

MTW PROJECT		UNLESS OTHERWISE SPECIFIED ALL DIMENSIONS ARE IN mm	
TITLE: CD HOLDER		SIZE: A4	SHEET 1 OF 2
DRAWN BY: YOUR NAME HERE		Date: 20/02/2009	
SCALE: 1:5			



<b>MTW PROJECT</b>	
TITLE: <b>CD HOLDER</b>	
DRAWN BY: YOUR NAME HERE	SIZE: A4
SCALE: 1:5	Date: 20/02/2009
UNLESS OTHERWISE SPECIFIED ALL DIMENSIONS ARE IN mm	
SHEET 2 OF 2	



**TechnoTeachers**  
Association