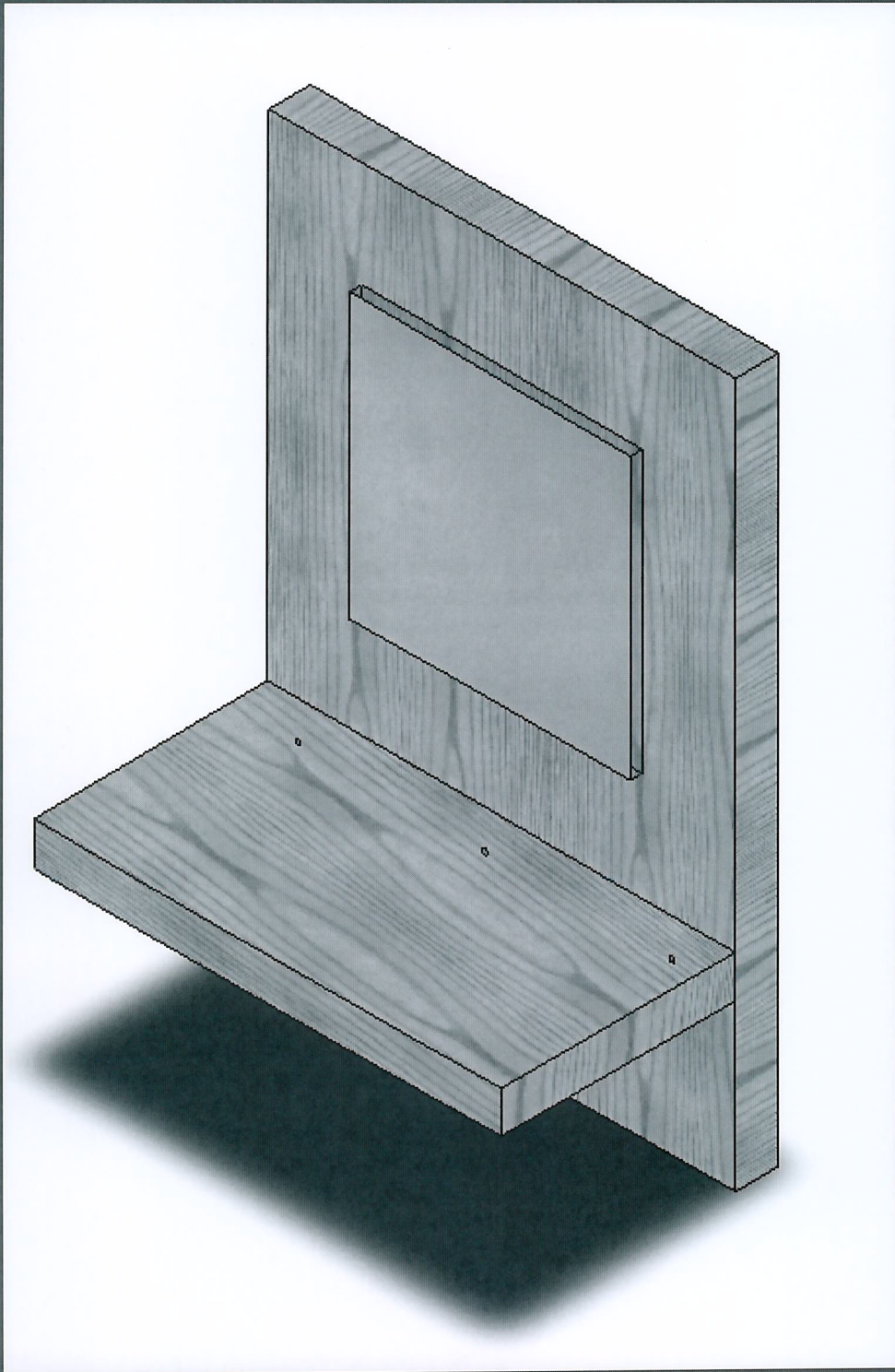


# *Mirror with Shelf*



# MTW Project: Mirror with Shelf

## Design Brief:

From the given drawing, design and make a mirror. The design of the back and shelf should reflect a nature theme. Methods of fixing the mirror to a wall must also be incorporated

## Objectives of Project:

At the end of this project student will be able to:

- Design a project from a given brief
- Mark out and process a drill and countersink screw joint
- Shape a number of pieces in an attractive manner
- Assemble a multi-piece project
- Finish a project using an appropriate applied finish

## Pre-required Knowledge & Skills:

- Understanding of basic jointing techniques
- Basic skills associated with woodworking

## Tools & Equipment Required:

- Standard bench tools
- Tracing paper, card (for templates)
- Pillar drill, cordless drill, countersinking bit
- Spokeshaves, surforms
- Finishing materials (Danish oil, varnish)

## Materials Required:

Materials per student:

Item	Amount	Width	Thickness	Length	Material
Back	1	200mm	18mm	300mm	Lamin-board
Shelf	1	100mm	18mm	200mm	Lamin-board
Screws	2		4mm	40mm	brass
Mirror	1	120mm		120mm	

### **Theory Related to Project:**

Topics or areas of syllabus that can be covered as part of project:

- *Jointing methods*
- *Finishing of Projects & Finishes*
- *Fixtures & Fittings – Screws*
- *Adhesives*
- *Other materials – glass, metals*
- *Designing for function and aesthetics*

### **Time Allocation**

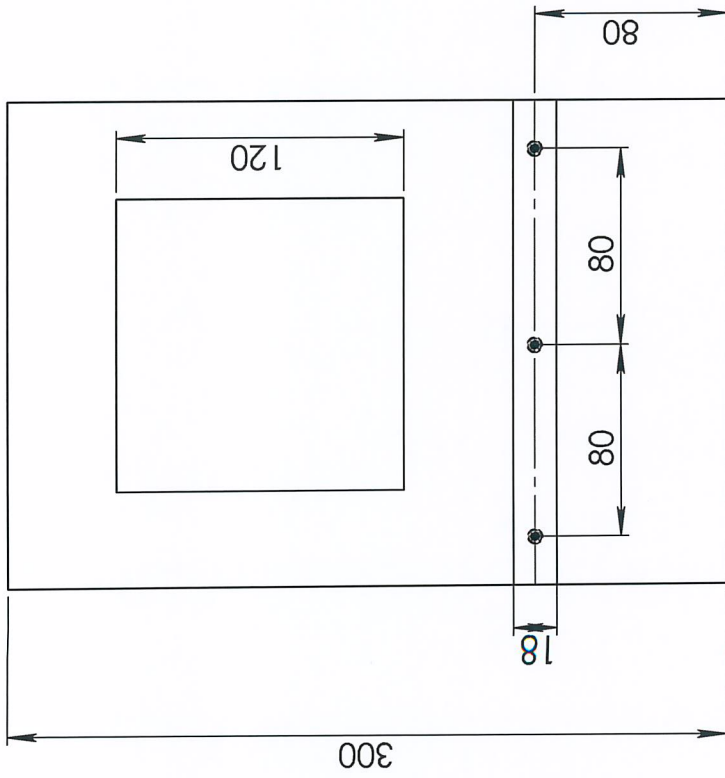
Estimated amount of classes:

Start Date:

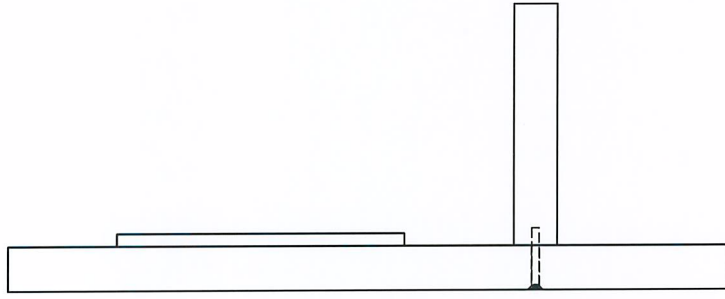
Finish Date:

### **Notes**

- *Researching and developing a design from a given theme/brief can be explored by student in detail as preparation for this project.*
- *Design of support pieces can be marked out using tracing paper or card templates (200 gsm paper)*
- *Chamfering, spoke-shaving work can also be explored in this project*
- *Mirrors with self adhesive backings can be sourced in “pound shops” as an inexpensive option.*

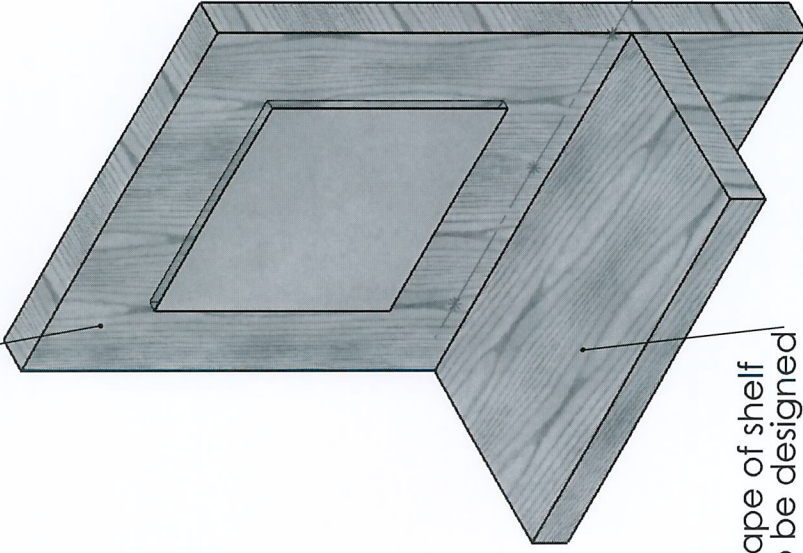


ELEVATION



END ELEVATION

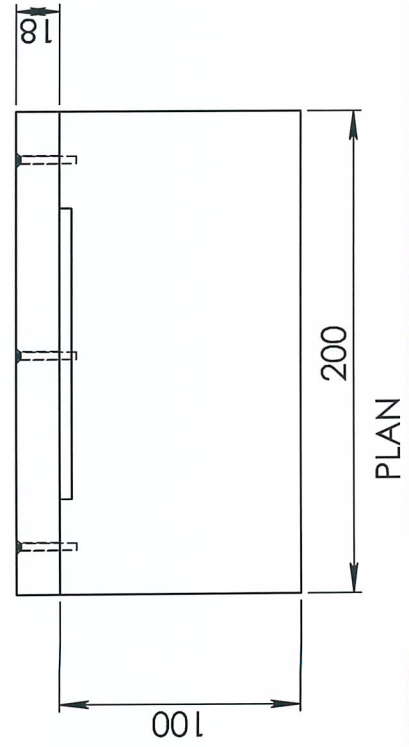
Shape of back to be designed



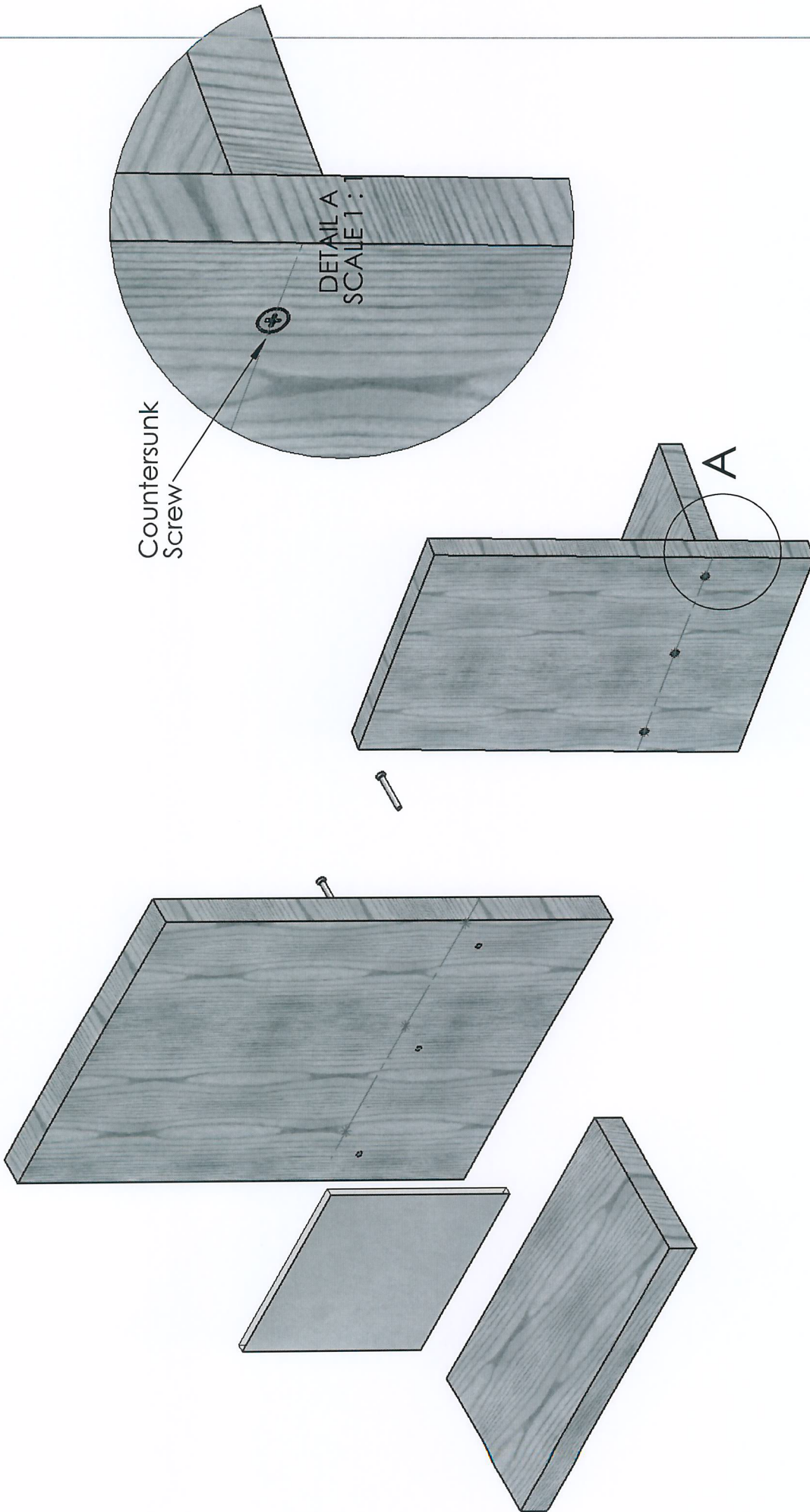
Shape of shelf to be designed

**TechnoTeachers**  
Association

TITLE: MIRROR		MTW PROJECT	
SCALE: 1:5	Date: 22/02/2009	SIZE: A4	UNLESS OTHERWISE SPECIFIED ALL DIMENSIONS ARE IN mm
DRAWN BY: YOUR NAME HERE			SHEET 1 OF 2



PLAN



<b>MTW PROJECT</b>	
TITLE: <b>MIRROR</b>	
DRAWN BY: YOUR NAME HERE	SIZE A4
SCALE: 1:10	Date: 22/02/2009
UNLESS OTHERWISE SPECIFIED ALL DIMENSIONS ARE IN mm	
SHEET 2 OF 2	



**TechnoTeachers**  
Association