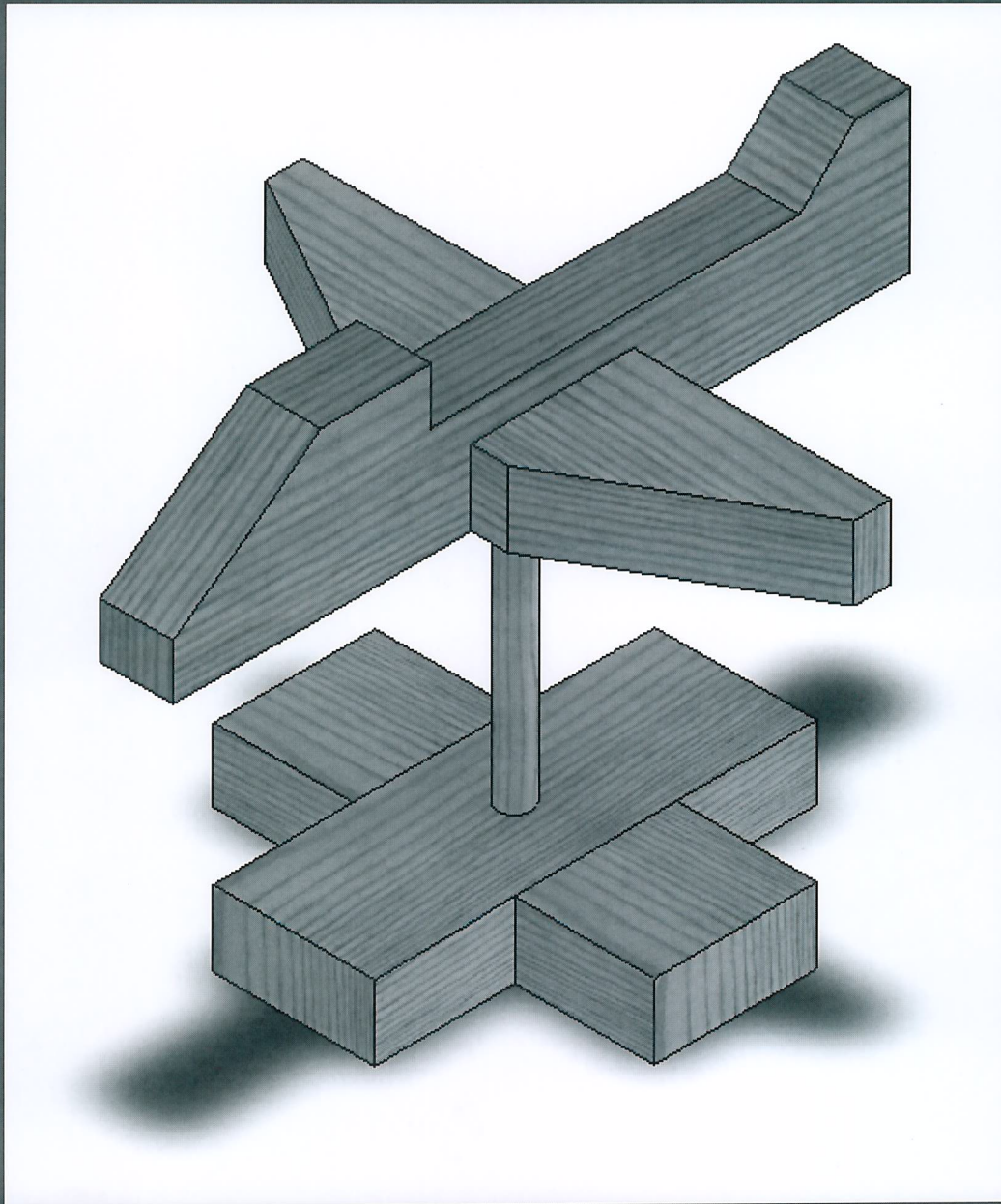


Model Plane & Stand



STRAHAN

Timber & Builders Providers

Model Plane & Stand

Design Brief:

From the given working drawing, design & make a model plane and stand. The shape of the wings and fuselage must be designed by each student

Objectives of Project:

At the end of this project student will be able to:

- Analyse and develop an appreciation for shapes and designs of wooden model toys
- Develop a design for shape of given project
- Mark out and process trenches, drill holes and edge shapes
- Assemble parts using gluing and clamping techniques
- Prepare a project for finishing and apply a chosen finish

Pre-required Knowledge & Skills:

- Basic marking out skills
- Basic sawing and chiseling (trench exercise) techniques
- Drilling
- Basic sketching skills

Tools & Equipment Required:

- Standard bench tools, Pillar Drill

Materials Required:

Materials per student:

Item	Amount	Width	Thickness	Length	Material
Stand	2	44mm	20mm	120mm	Red deal
Fuselage	1	44mm	20mm	200mm	Red deal
Wings	1	44mm	20mm	160mm	Red deal
Dowel		9mm dia			Birch dowel

Theory Related to Project:

Topics or areas of syllabus that can be covered as part of project:

- *Marking out tools*
- *Saws and Chisels*
- *Drilling*
- *Adhesives*
- *Wood finishes and finishing*
- *Project designing*
- *Freehand Sketching*
- *Health & Safety (attached to all relevant areas of syllabus)*

Time Allocation

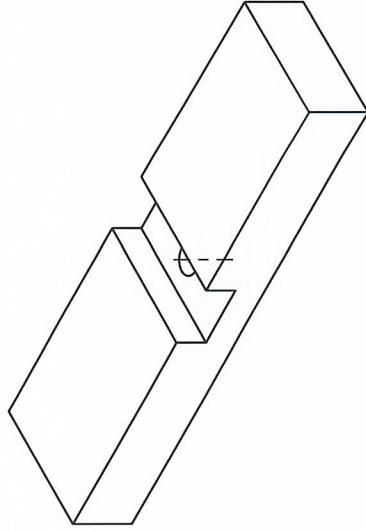
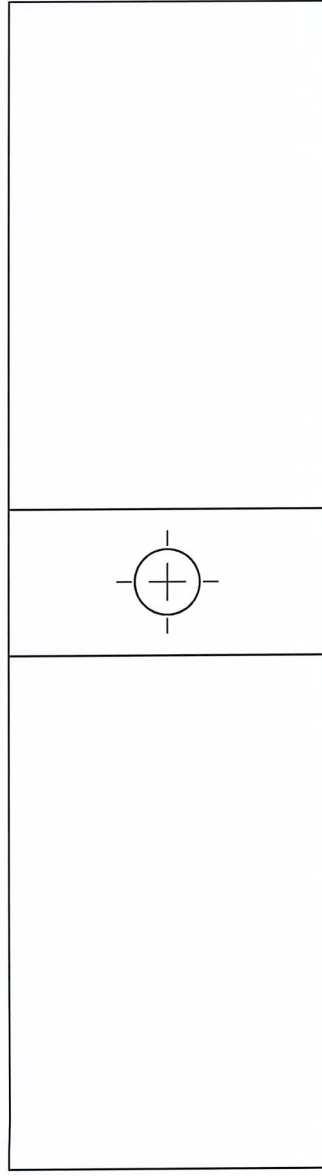
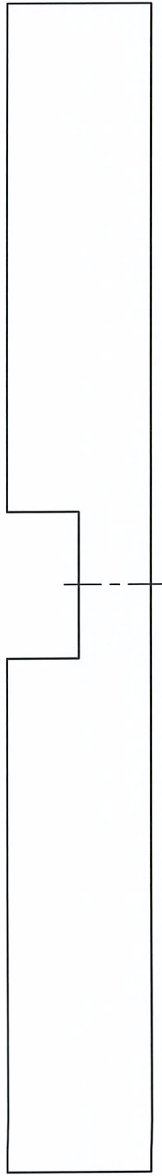
Estimated amount of classes:

Start Date:

Finish Date:

Notes

- DRAW IN DESIGN FOR WINGS
- INSERT MEASUREMENTS
- COMPLETE 3D OF FINAL DESIGN



TITLE:

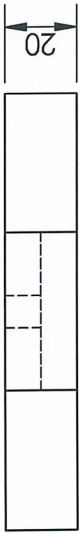
plane wings

DRAWN BY:

UNLESS OTHERWISE SPECIFIED ALL
DIMENSIONS ARE IN mm

SCALE: 1:2 Date:

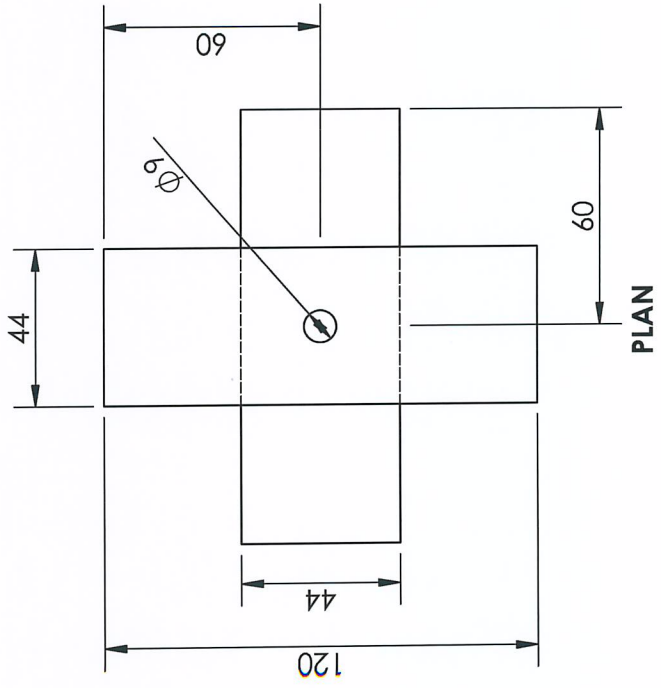
SIZE
A4



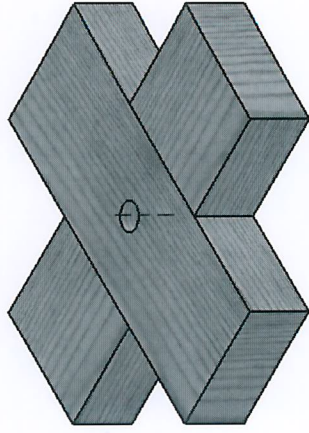
ELEVATION



END ELEVATION



PLAN



ISOMETRIC

TITLE:

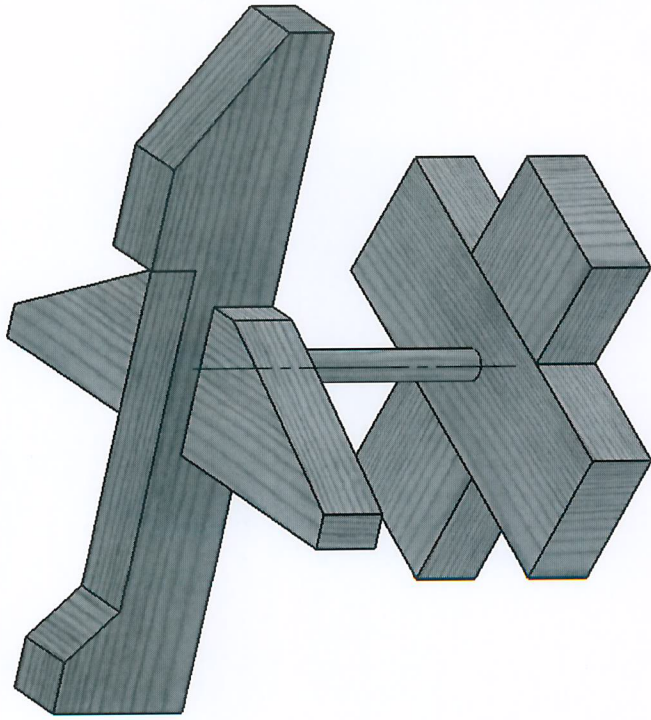
halving trench.SLDPRT

DRAWN BY:

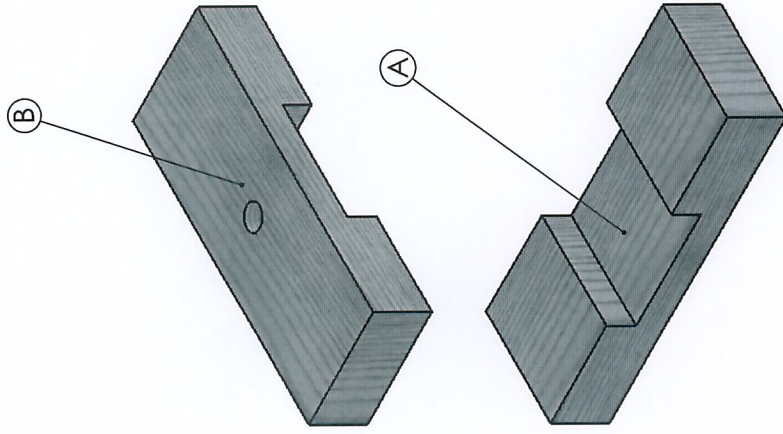
SIZE
A4

UNLESS OTHERWISE SPECIFIED ALL
DIMENSIONS ARE IN mm

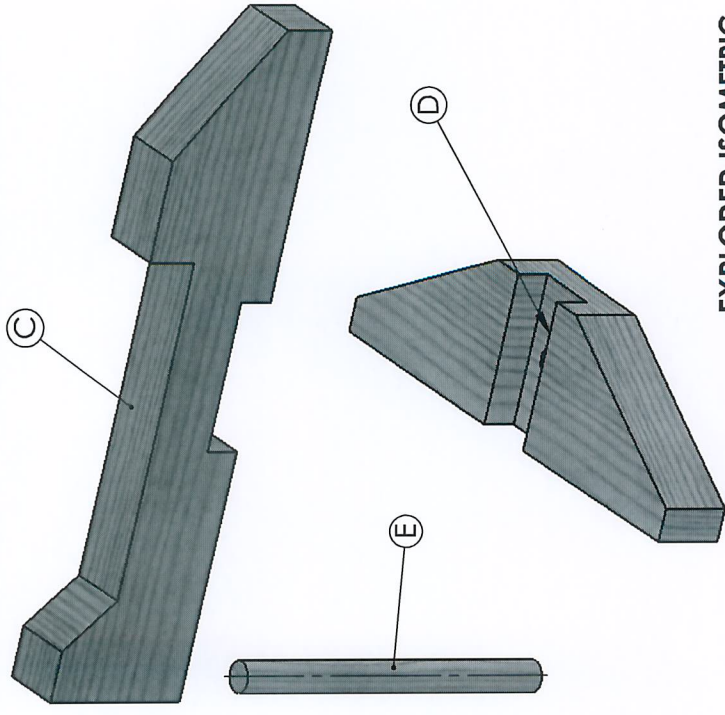
SCALE: 1:2 Date:



ISOMETRIC



EXPLODED ISOMETRIC



ITEM	PART	LENGTH	WIDTH	THICKNESS	MATERIAL
A	Stand (bottom)	120 mm	44 mm	20mm	Red Deal
B	Stand (top)	120 mm	44 mm	20mm	Red Deal
C	Fuselage	200 mm	44 mm	20mm	Red Deal
D	Wings	160 mm	44 mm	20mm	Red Deal
E	Dowel	100 mm	Dia. 9mm		Red Deal

TITLE:

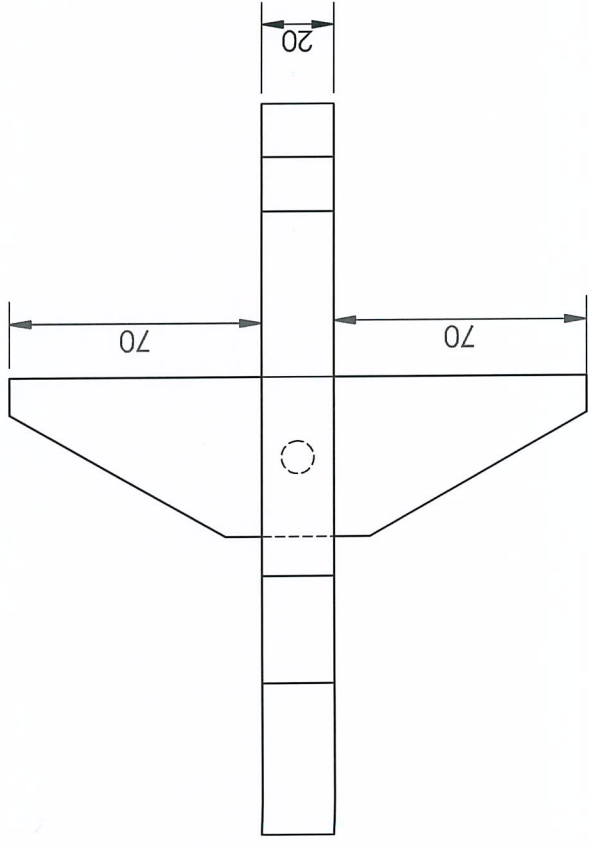
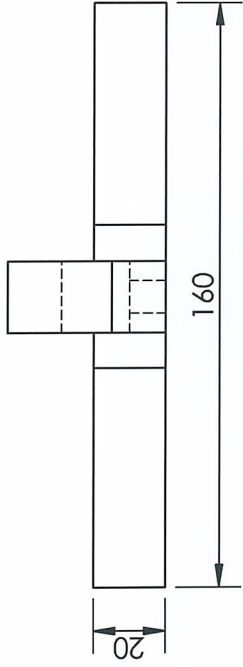
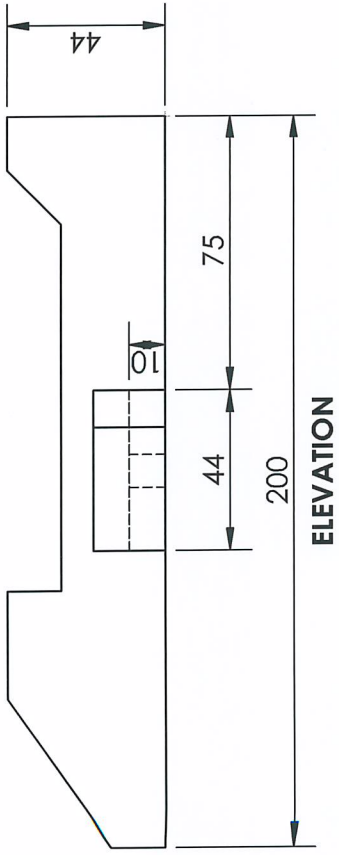
PLANE COMPLETE

DRAWN BY:

SIZE
A4

UNLESS OTHERWISE SPECIFIED ALL
DIMENSIONS ARE IN mm

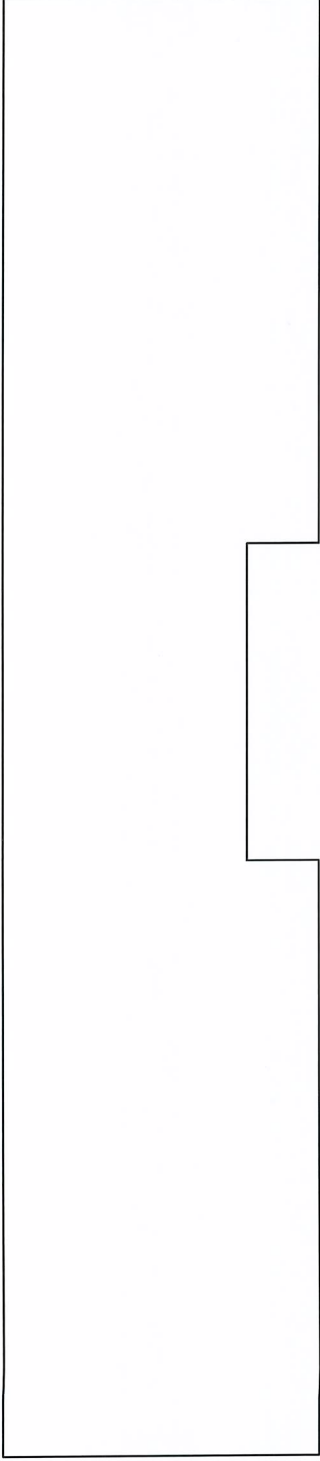
SCALE: 1:0.2 Date:



ISOMETRIC

TITLE: **plane**

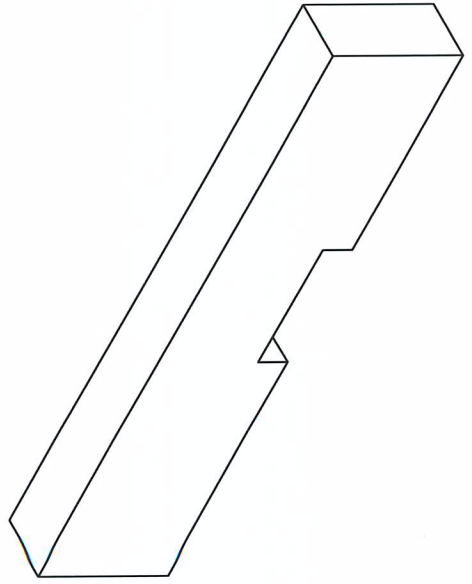
DRAWN BY:	UNLESS OTHERWISE SPECIFIED ALL DIMENSIONS ARE IN mm
SCALE: 1:0.2	SIZE: A4
Date:	



ELEVATION



PLAN



- DRAW IN DESIGN FOR PLANE FUSELAGE
- INSERT MEASUREMENTS FOR DESIGN
- COMPLETE 3D OF FINAL DESIGN

TITLE:

plane fuselage

DRAWN BY:

SIZE
A4

UNLESS OTHERWISE SPECIFIED ALL
DIMENSIONS ARE IN mm

SCALE: 1:2

Date: