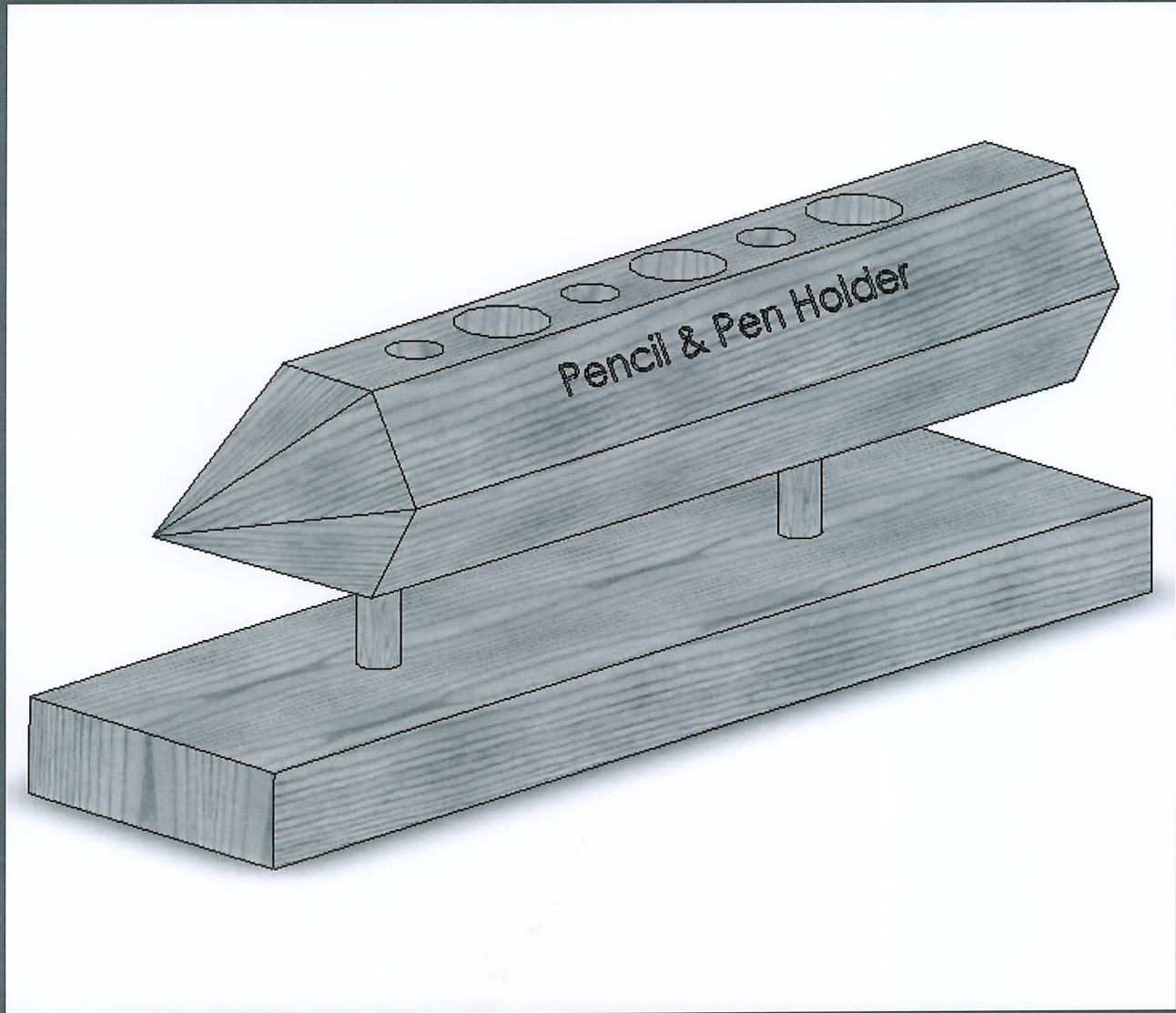


Pencil & Pen Holder



MTW Project: Pencil & Pen Holder

Design Brief:

From the given drawings, design & make a pencil & pen holder. The shape of the base and the number and size of the holes must be designed by each student

Objectives of Project:

At the end of this project student will be able to:

- Research and investigate existing designs of products
- Develop a design solution, through notes and freehand sketches to satisfy a given brief
- Use a bench plane to shape, and chamfer
- drill holes and shape edges
- Assemble parts using gluing and clamping techniques
- Prepare a project for finishing and apply a chosen finish

Pre-required Knowledge & Skills:

- Basic marking out skills
- Basic sawing and chiseling (trench exercise) techniques
- Planing
- Drilling
- Basic sketching skills

Tools & Equipment Required:

- Standard bench tools, Pillar Drill

Materials Required:

Materials per student:

| Item | Amount | Width | Thickness | Length | Material |
|--------|--------|---------|-----------|--------|----------|
| Base | 1 | 70mm | 20mm | 250mm | Red deal |
| Holder | 1 | 44mm | 44mm | 250mm | Red deal |
| Dowels | 2 | 9mm dia | | 50mm | dowel |

Theory Related to Project:

Topics or areas of syllabus that can be covered as part of project:

- *Marking out tools*
- *Planes*
- *Drilling*
- *Wood finishes and finishing*
- *Project designing*
- *Freehand Sketching*
- *Health & Safety (attached to all relevant areas of syllabus)*

Time Allocation

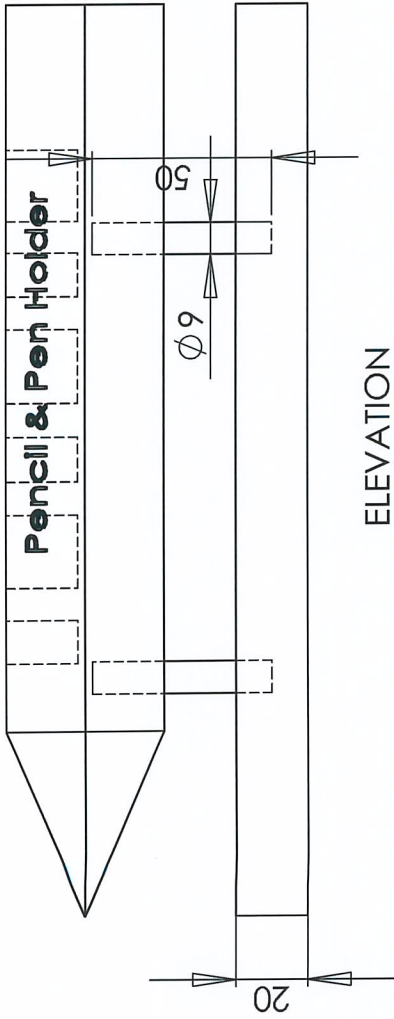
Estimated amount of classes:

 Start Date:

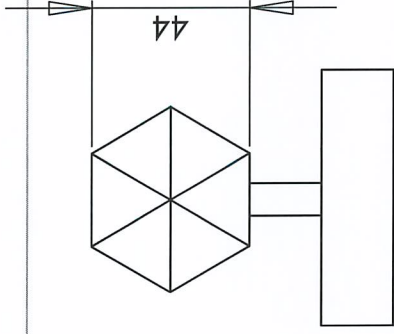
Finish Date:

Notes

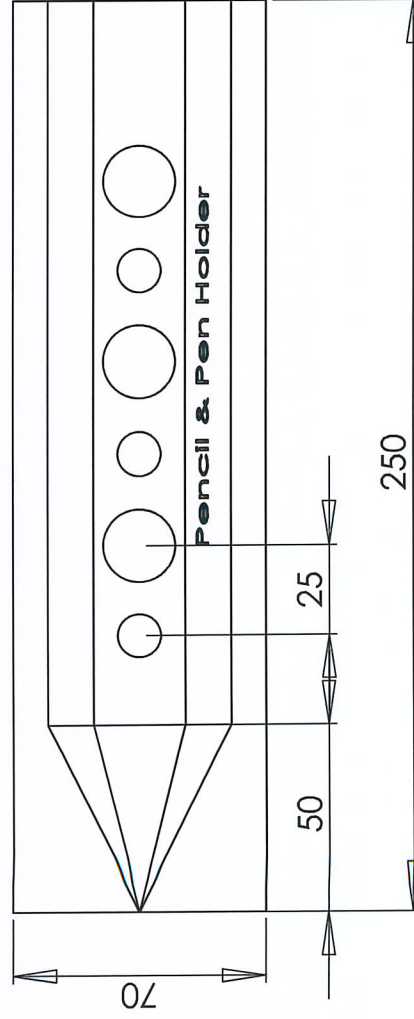
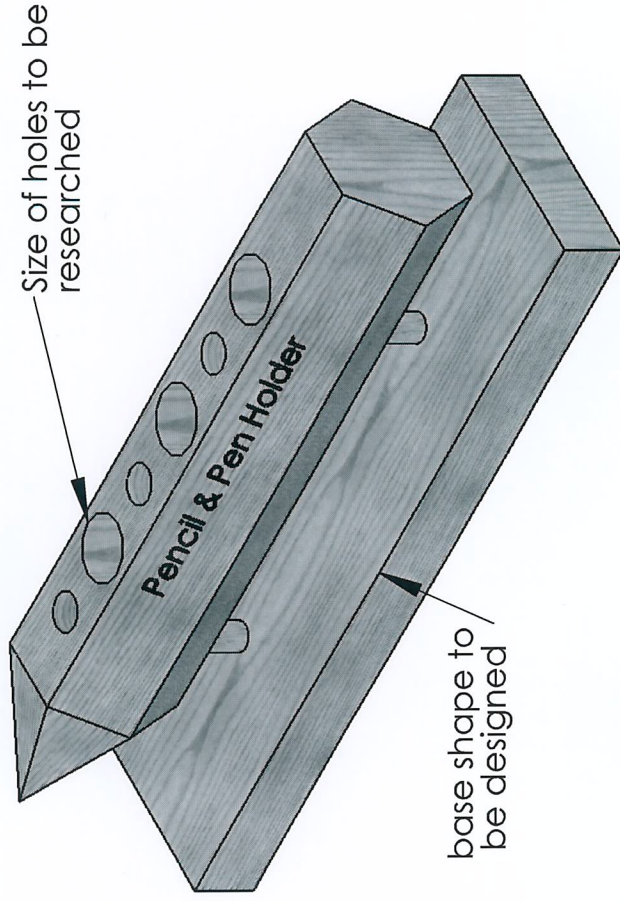




ELEVATION



END ELEVATION



PLAN



TechnoTeachers
Association

MTW PROJECT

TITLE:

pencil & pen holder

DRAWN BY: YOUR NAME HERE

SIZE
A4

UNLESS OTHERWISE SPECIFIED ALL
DIMENSIONS ARE IN mm

SCALE: 1:1 Date: 20/02/2009

SHEET 1 OF 1